



category

diesel electricpump

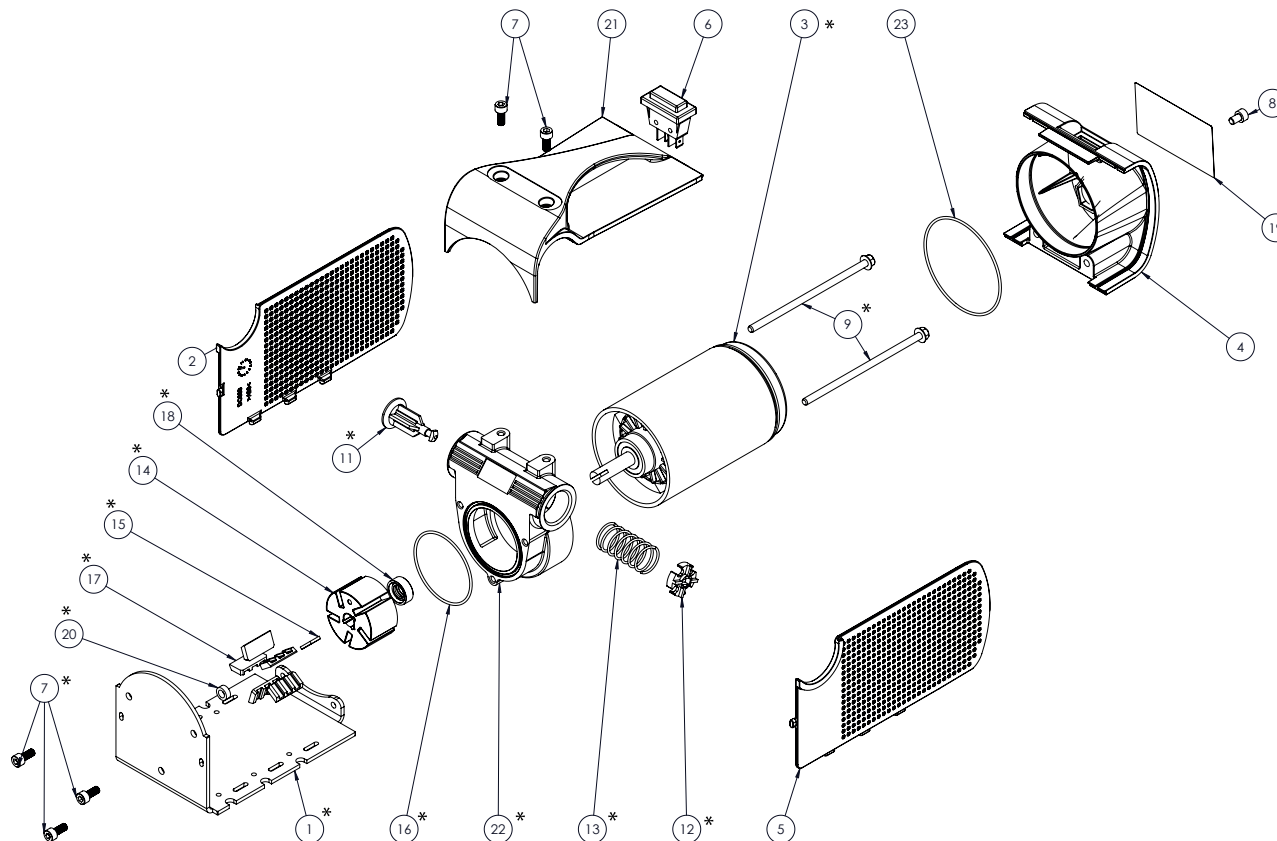
model

MADE IN ITALY 

O TECH. DC TECH. AC TECH 40

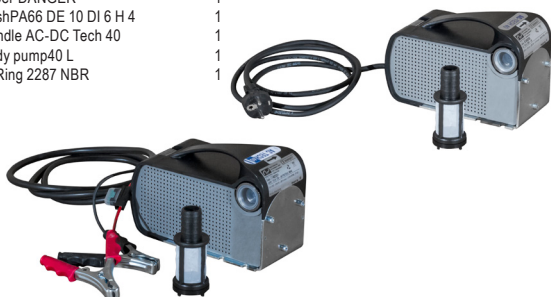
O TECH 40

CODE	DESCRIPTION	Q.TY	
1	DC006	Plate AC-DC Tech 40	1
3	-	Motor Ø77	1
7	13001013	Screw tcce m5x12 iso 4762	3
9	6100481150	TieM5x115 Flangiato	2
11	71000520	by pass valve	1
12	71000521	Plate	1
13	71008006	spring Ø21.4x42	1
14	61000003	rotor Ø45	1
15	71000517	plastic key	1
16	18001014	O-Ring 2212 NBR	1
17	71000522	small vane	5
18	12010031000	Sealing ring Ø19	1
20	DC007	Bush pa66 de 10 di 6 h 4	1
22	CP001	body pump 40L	1



AC - DC TECH 40

CODE	DESCRIPTION	Q.TY	
1	DC006	plate AC-DC Tech 40	1
2	DC003	left side AC-DC Tech 40	1
3	-	Motor Ø77	1
4	DC002	switch box AC-DC Tech 40	1
5	DC004	right side AC-DC Tech 40	1
6	190050070000	switch 11x30 16A	1
7	13001013	screw TCCE M5x12 ISO 4762	5
8	VT002	Screw TCCE M5x8	2
9	6100481150	TieM5x115 Flanged	2
11	71000520	By pass valve	1
12	71000521	Plate	1
13	71008006	Spring Ø21.4x42	1
14	61000003	Rotor Ø45	1
15	71000517	Plastic key	1
16	18001014	O-Ring 2212 NBR	1
17	71000522	Small vane	5
18	12010031000	Sealing ring Ø19	1
19	71000653	Label "DANGER"	1
20	DC007	Bush PA66 DE 10 DI 6 H 4	1
21	DC001	Handle AC-DC Tech 40	1
22	CP001	Body pump 40 L	1
23	OR010	O-Ring 2287 NBR	1



Adam Pumps spa
via della Resistenza 46/48
41011 Campogalliano (MO) - ITALIA

tel. +39 059 528 128
fax +39 059 528 437
info@adampumps.com