



category

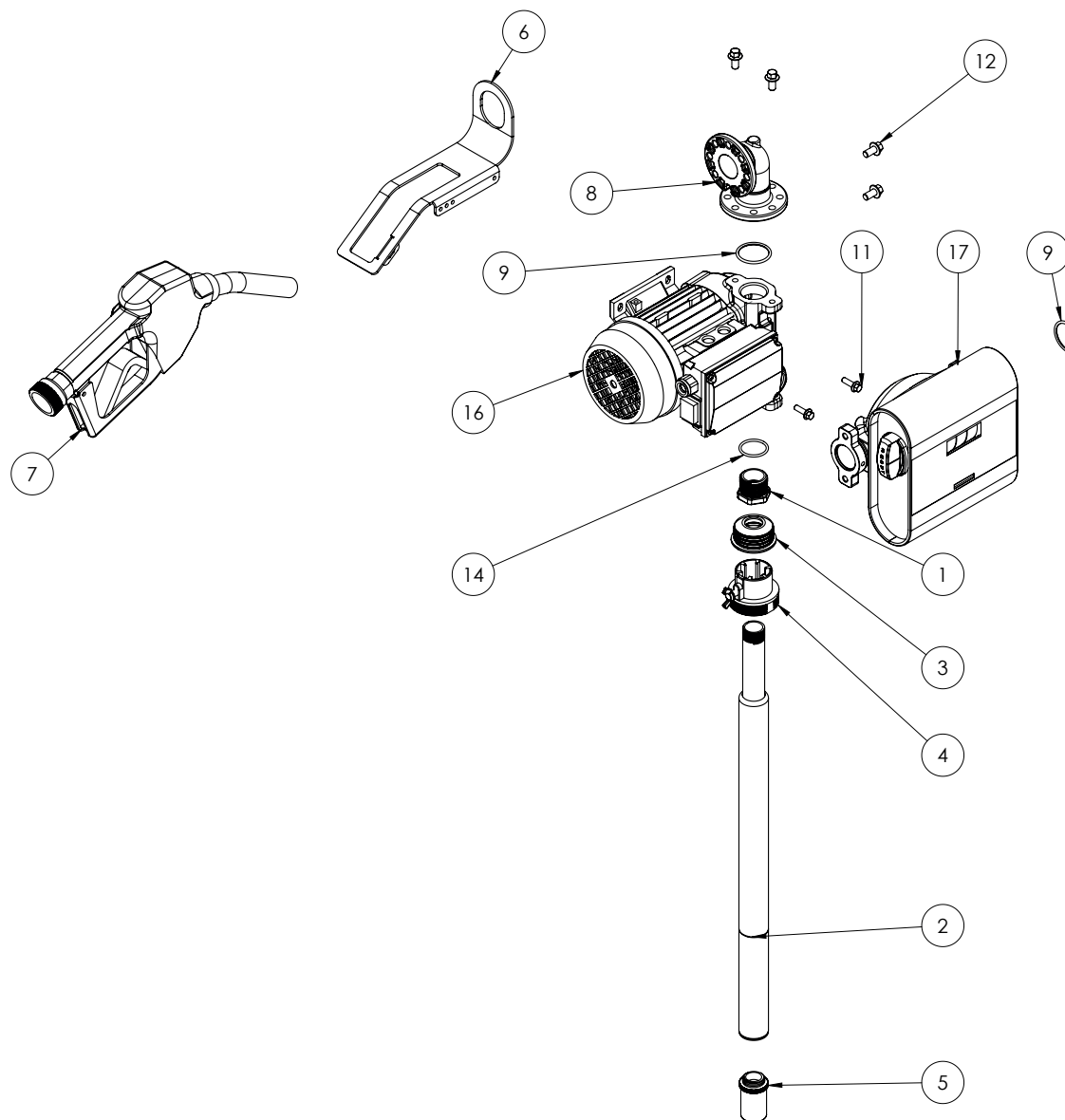
diesel transfer kit

model

MADE IN ITALY 

# DRUM TECH

POS.	CODE	DESCRIPTION	QTY
1	17001057	Reduction 1" 3/4"	1
2	24000500000F	Metal gas telescopic pipe 3/4"	1
3	93500000000	Black terminal 26/32	1
4	240010000000	Pipe tightening ring nut TTM	1
5	17001102	Stainless steel filter 3/4" M	1
6	DT001	Drum tech holster	1
7	-	Nozzle	1
8	HT008	ROUGH TELEPHONE	1
9	OR011	O-RING 37 x 3 NBR	2
10	TUB190411	RUBBER HOSE Ø19 4M fitt. 1"x1"	1
11	81282325100	Hex head screw FR m6x20 ISO 4162	2
12	VT005	Hex head screw FR M8x16 ISO 4162 4	4
14	18001008	O-Ring 3118 NBR	1
15	MA092	meter mask	1
16	-	Electric pump	1
17	TF3S1	Tech flow meter 3C ADAM (S)	1



Adam Pumps spa  
via della Resistenza 46/48  
41011 Campogalliano (MO) - ITALIA

tel. +39 059 528 128  
fax +39 059 528 437  
info@adampumps.com