



category

diesel electricpump

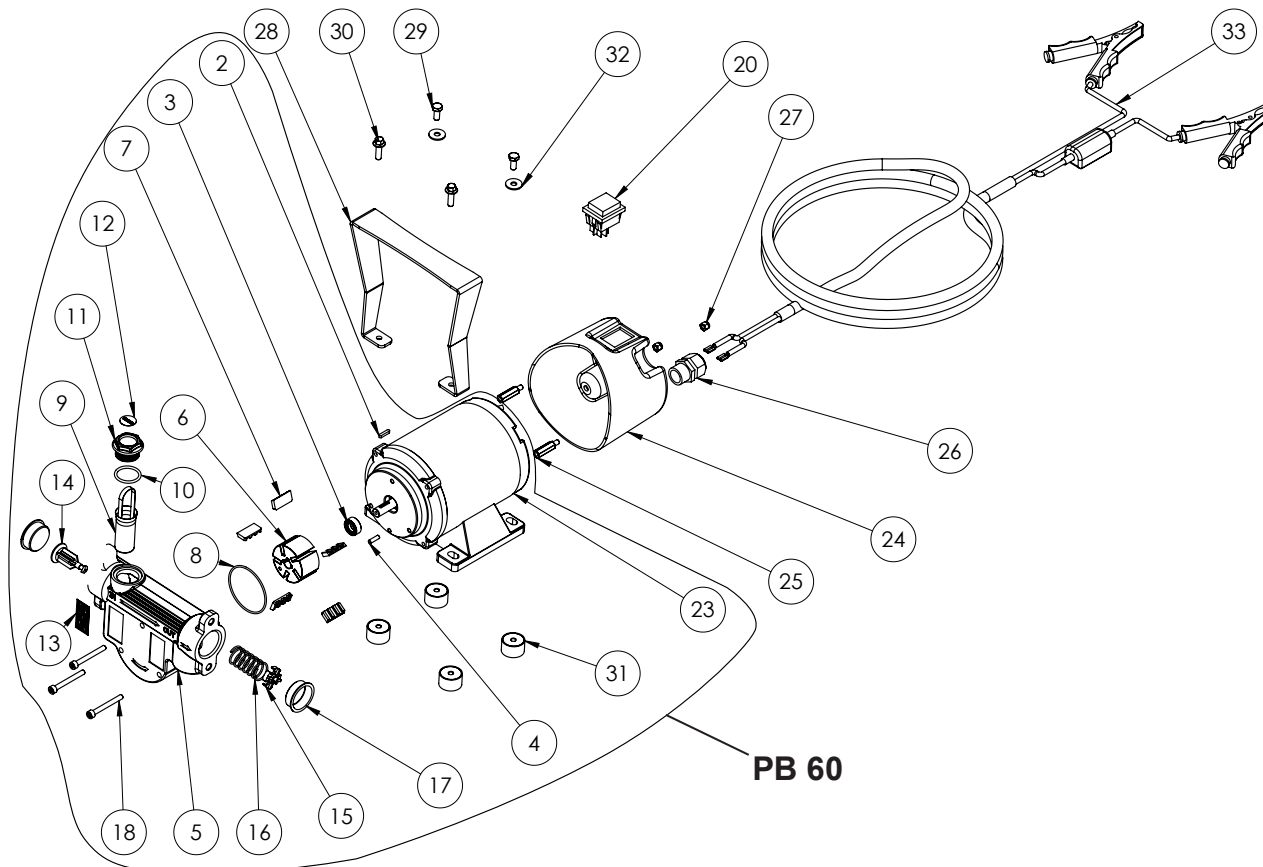
model

MADE IN ITALY 

PB - PB1 60



POS.	CODE	DESCRIPTION	QTY
2	17001097	FEATHER KEY 3X3X15	1
3	12010031000	SEALING RING Ø19	1
4	91214140000	PLUG Ø4X14	1
5	CP002	PUMP BODY	1
6	61000003	IMPELLER Ø45	1
7	71000522	SMALL VANE	5
8	18001014	O-RING 2212 NBR	1
9	41140000	STAINLESS STEEL FILTER	1
10	11010200400	O-RING 132 NBR	1
11	17001006	CAP 3/4 " BSP-G	1
12	71000587	"FILTER" LABEL 3/4"	1
13	71000546	FILTER CLEANING	1
14	71000520	BYPASS VALVE	1
15	71000521	PLATE	1
16	71008006	SPRING Ø21.4X42	1
17	163013500000	THREAD PROTECTION CAP	2
18	13001002	HEX SOCKET HEAD CAP SCREW M5X45	3
19	-	"CE" LABEL	1
20	190050210000	ON-OFF SWITCH	1
23	71009021	MOTOR	1
24	PB001	MOTOR COVER	1
25	VT022	SPACER M5X25	2
26	53015030	-	1
27	82021810000	NUT	2
28	PB002	HANDLE	1
29	80232320100	HEX HEAD SCREW M6X14	2
30	81282325100	HEX HEAD SCREW FR M6X20	2
31	VT016	FOOT Ø25X20	4
32	83102322100	WASHER	2
33	190000150000	4M CABLE WITH CROCODILE CLIPS	1



Adam Pumps spa
 via della Resistenza 46/48
 41011 Campogalliano (MO) - ITALIA

tel. +39 059 528 128
 fax +39 059 528 437
 info@adampumps.com