



BLUE TECH 2



WATER

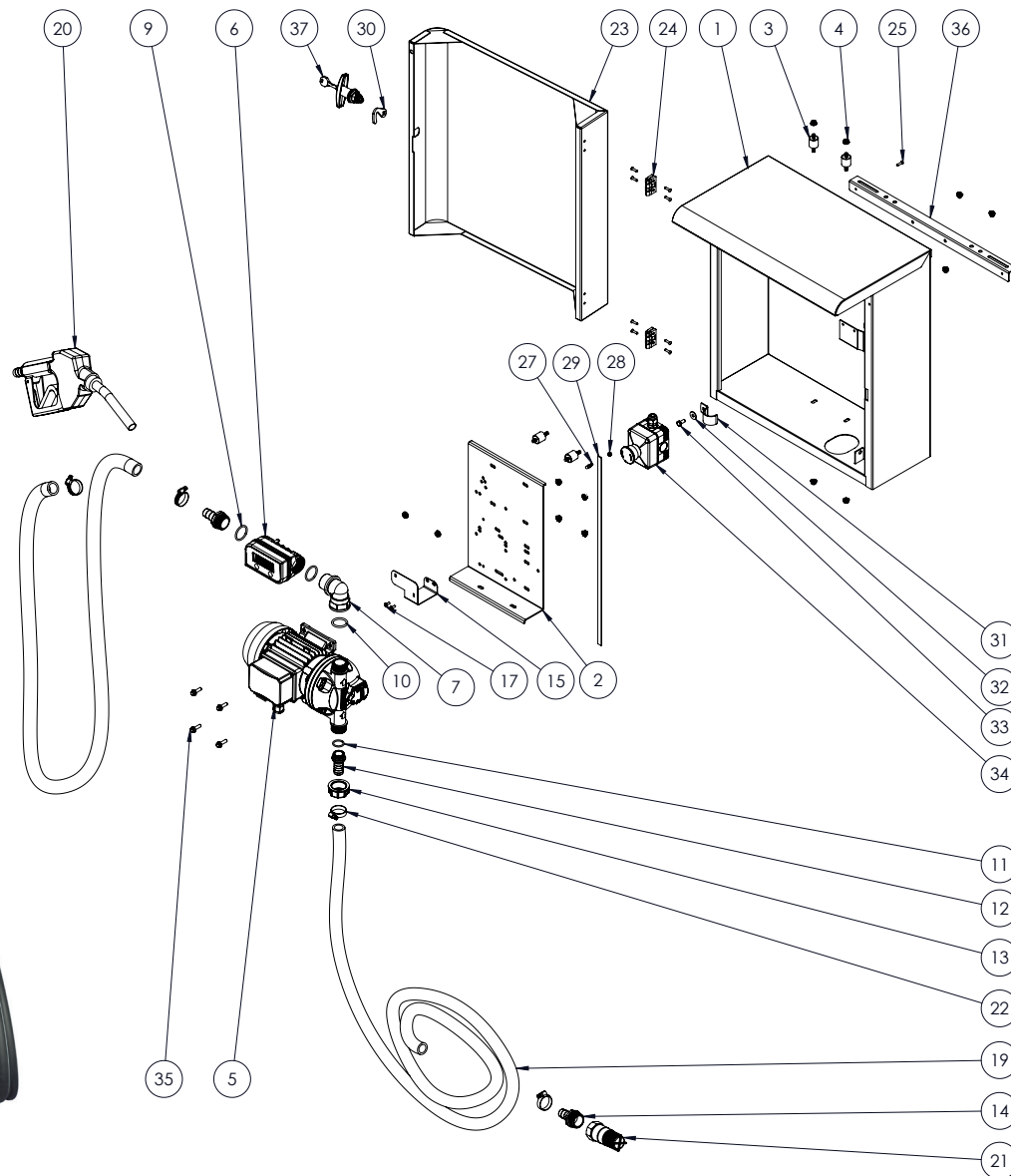


FEATURES	12V	230V AC 50Hz	230V AC 60Hz
Power Supply [V, Hz]	12 DC	230 AC, 50Hz	230 AC, 60Hz
Max Current [A]	20	1.95	1.95
Power [W]	200	350	350
Motor Protection:	IP 55	IP 55	IP 55
On/Off Switch:	Yes	Yes	Yes
Cable [m]:	2	2	2
Duty Cycle [min]:	S2 20	S2 20	S2 20
Nominal Flow Rate [l/min / GPM]:	36 / 9.2	36 / 9.2	36 / 9.2
Max Pressure [bar / psi]:	1.3 / 19	1.3 / 19	1.3 / 19
Dry Suction height [m]:	2	2	2
Internal By-Pass:	Yes	Yes	Yes
Inlet [BSP/G]:	3/4" F	3/4" F	3/4" F
Outlet [BSP/G]:	3/4" F	3/4" F	3/4" F
Pump body material:	AISI 304	AISI 304	AISI 304
Impeller material:	POM - C	POM - C.	POM - C
Vanes material:	POM - C	POM - C	POM - C
Gasket material:	Viton	Viton	Viton
Partial Flow meter digits:	4 + 2 decimal	4 + 2 decimal	4 + 2 decimal
Totalizer Flow meter digits:	6	6	6
Flow meter typology:	turbine	turbine	turbine
Flow meter precision [%]:	± 0,5	± 0,5	± 0,5
Repeatability [%]:	0,2	0,2	0,2
Suction Hose [material, ø, m, fittings]:	PVC, 20, 2, -	PVC, 20, 2, -	PVC, 20, 2, -
Delivery Hose [material, ø, m, fittings]:	PVC, 20, 4, -	PVC, 20, 4, -	PVC, 20, 4, -
Nozzle:	automatic / manual	automatic / manual	automatic / manual
Motor support:	Yes	Yes	Yes
Min/max Temperature [°C]:	-5/+40	-5/+40	--5/+40
Max fluid viscosity [cSt] (a 40 °C):	2 ÷ 5	2 ÷ 5	2 ÷ 5
Compatible fluids:	Ad Blue®, AUS 32, Water	Ad Blue®, AUS 32, Water	Ad Blue®, AUS 32, Water
Not allowed fluids:	gas, alcohol, diesel, gasoline, kerosene		
Loudness at less 1 meter [dB]:	< 80	< 80	< 80
Net Weight [Kg]:	11	11	11
Gross Weight [Kg]:	12	12	12



BLUE TECH 2

	CODE	DESCRIPTION	Q.TY
1	AR007	Cabinet	1
2	6180920000X	pump holder plate	1
3	17001106	Cylindrical damper 20x15 M6x10x16	4
4	71000112	flanged nut M6 ISO 4161	13
5	-	pump	1
6	-	INLINE UREA flow meter	1
7	AB033	plastic elbow 90° 1" M-F	1
8	OR041	O-RING hose stem Ø20	1
9	OR020	O-Ring BS 317 FKM	2
10	OR007	O-Ring 4112 FKM	1
11	OR041	O-RING hose stem Ø20	1
12	RA026	fitting Ø20 1"	1
13	RA025	walke r1" Ø20	1
14	160510100000	hose stem PL. 1"x20 RC 1019	2
15	DT002	flowmeter holder	1
16	VT013	screw TC 3X8 BN13577	2
17	80901439100	screw TC Croce M4x10	2
18	TUB022	suction/delivery hose	1
20	2715100290000	nozzle 60L	1
21	AB022	foot valve EPDM	1
22	AB023	band 20x32	4
23	AR008	Door assembly	1
24	AR001	hinge	2
25	92504100000	4x14 aluminum rivet	10
26	190100100000	Cable entry cmf 6209 pvc	2
27	94700000000	Metal closure 4488 MF94	1
28	82021410000	nut M4 UNI 7473	1
29	PF005	Foam insulation SP.2 mm	1
30	AR006	Closing hook	1
31	AB019	metal fastener	1
32	83102322100	washer 6x18x1.5	1
33	80232320100	screw TE M6x14 ISO 4014	1
34	240035000000	Electrical panel	1
35	81282325100	screw TE FR M6x20 ISO 4162	4
36	AR009	L-shaped support	1
37	AR005	closing handle	1





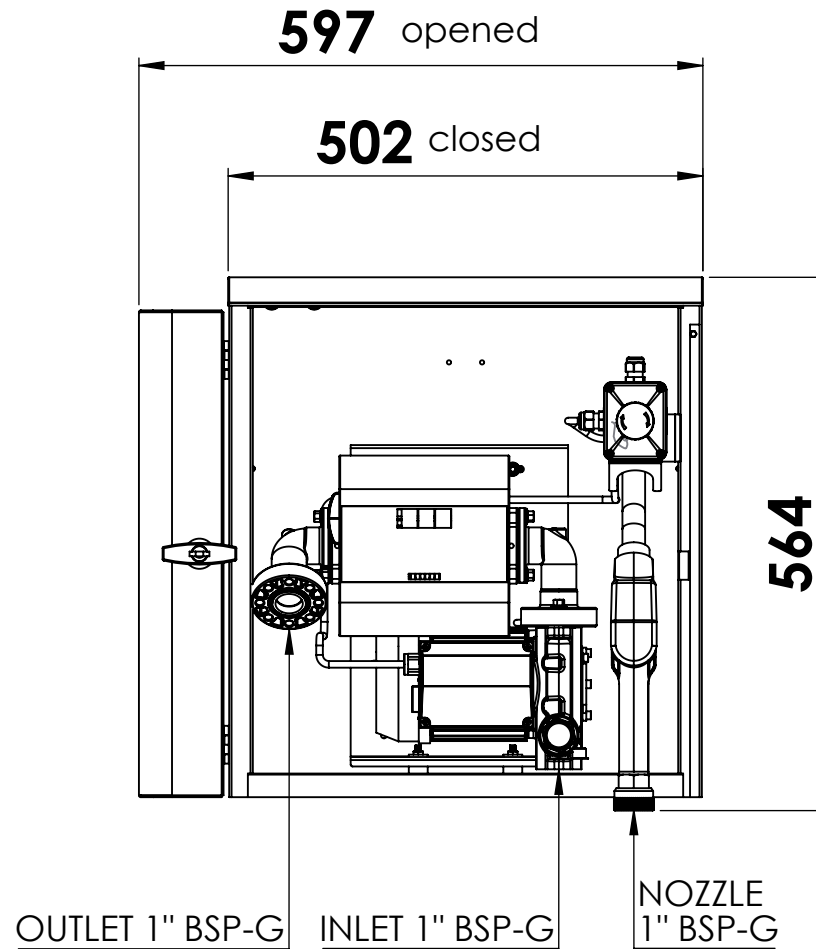
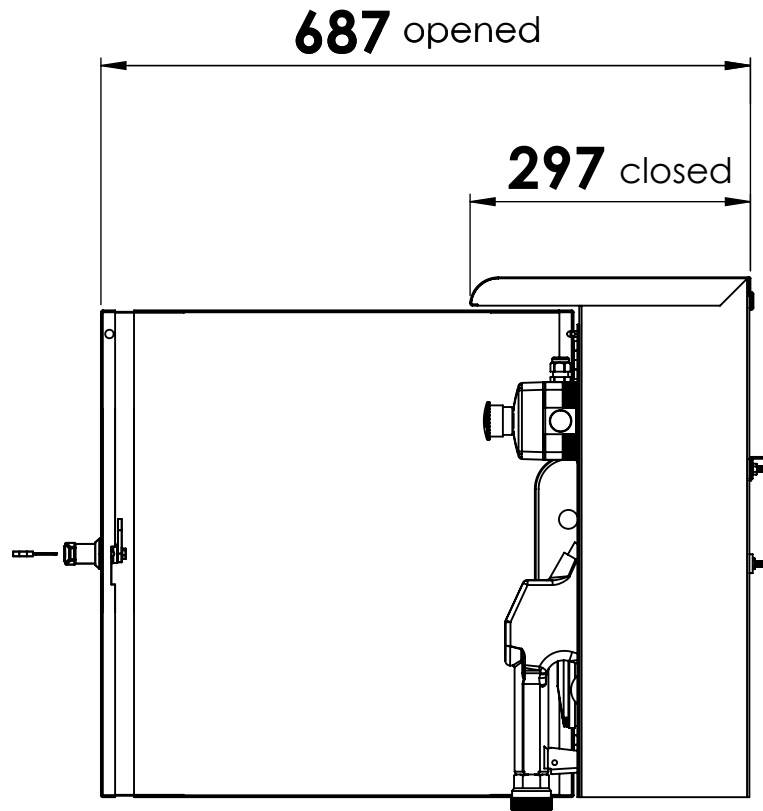
documento - document

ingombri - overall dimensions

prodotto - product

MADE IN ITALY

BLUE TECH 2



tutte le dimensioni espresse in mm - all dimensions are in mm



Adam Pumps S.p.A.
 Soc. con Socio Unico
 via della resistenza 46/48 - 41011 Campogalliano (MO) ITALIA
 Tel +39 059 528128 - Fax +39 059 528437 | www.adampumps.com - info@adampumps.com